



INGENII™

Ingenuity Applied

LINESET SAVER SERIES™

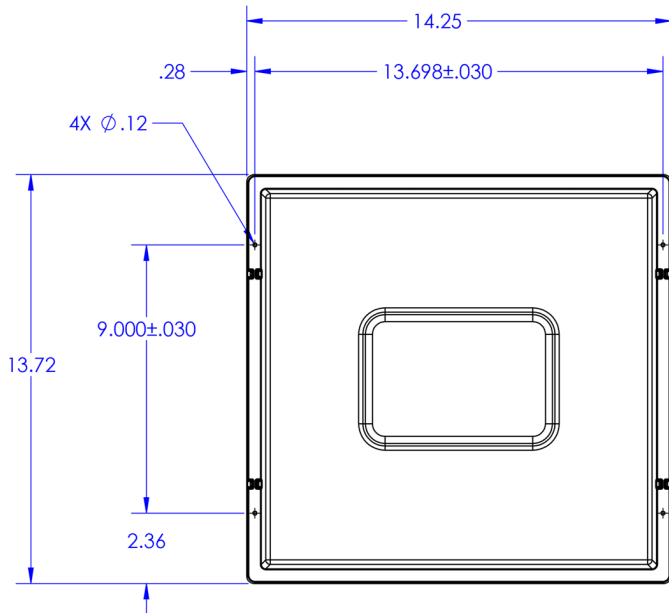
GEN2™ FLASH5™ FLASH8™

GEN2™ BOX

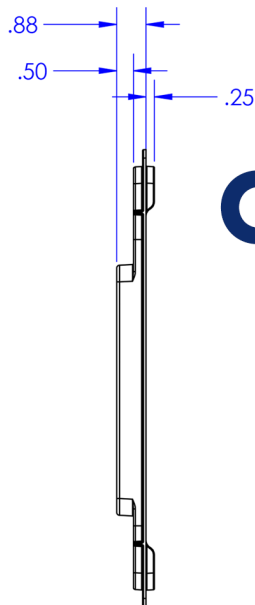
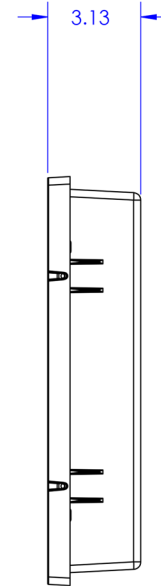
SIMPLE - SECURE - SIZED RIGHT

Required for Installation

- 4 screws to attach to studs • 4 screws to attach cover • RTV caulk/caulk gun (for ACH sealing)
- Properly sized fine tooth hole saw for cutting • Saw/multi-tool to remove protective cut-out



Base



Cover

